



CL-XYD-L Motion-sensor night light

User manual



Technical specification

Model	CL-XYD-L
Main features	Motion-sensor activated, wireless and rechargeable night light with daylight sensor and micro-USB charging port
Battery	3.7 V - 600 mA Lithium battery (micro-USB charging port)
Power	0.5 W
Light source type	SMD 2835 white LED
LED quantity (pcs)	6
CRI (Ra>):	>80
IP rating	IP 20
Light colour	White 3000 K / 4000 K / 6000 K
Luminous flux	30 lm +/- 5%
Light angle	120°
Sensor type	PIR sensor
Daylight sensor sensitivity	2-3 LUX (in AUTO mode the lights won't trigger above this value)
Detection range	2 – 4.5 m
Detection angle	100°
Operation mode	On / Off / Auto (30 second auto-off)
Blocking time	0.2 sec
Operation time	6+ hours
Charge time	2-3 hours
Operating temperature	5°C - 30°C (25°C is the most optimal)
Material of housing	ABS + PC (Milky)
Product size	Ø 80 x 23 mm
Lifetime	50,000 hours
Warranty	2 years
Package dimensions	155 mm (L) x 118 mm (W) x 20 mm (H)
Weight with packaging	0.088 kg



CL-XYD-L Motion-sensor night light

User manual

Safety notices

Electrical work safety advice and tips

- Make sure the input voltage is correct.
- Avoid short-circuiting the unit, as it will burn the power supply or cause fire.
- Avoid placing the light in the rain, outdoors or in moist areas as it may damage or short-circuit the device.
- Do not place the product into fire, open flame or hot surface as it may cause combustion or explosion.
- Do not open the LED light for inspection or re-wire the electronic circuits if you are not a professional. Opening the light engine might void your warranty.
- Avoid using the device under -10°C and above 40°C temperature.

DIY tips and safety advice

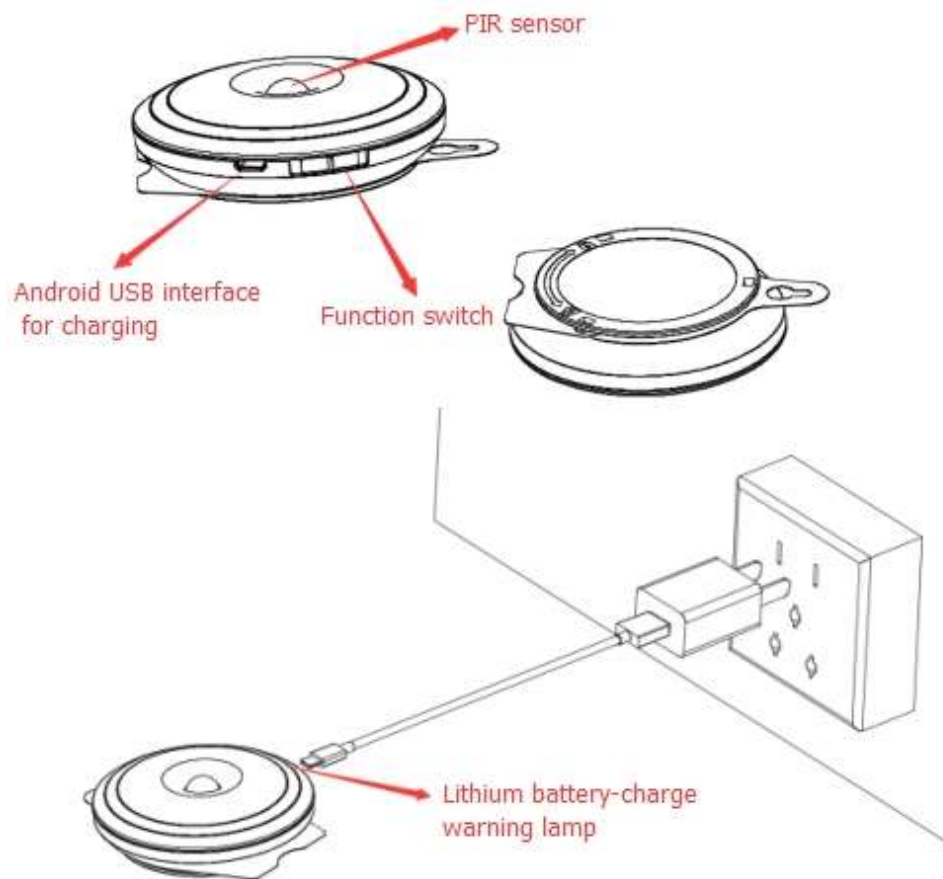
- This task will involve working at height. A safe system of work should be established and maintained, in order to prevent injury.
- Consider your safety! Think about the potential risks and dangers of the work and the steps you should take to avoid them.
- Personal protective equipment. Make sure that you are equipped with suitable and sufficient personal protective equipment. This could include eye protection, face mask, protective overalls, safety footwear and gloves.
- Ensure that the work area is sufficiently illuminated.
- Check that the tools you will be working with are in a good operating condition. For the installation, you will need a cordless drill with drill bits or a screwdriver.



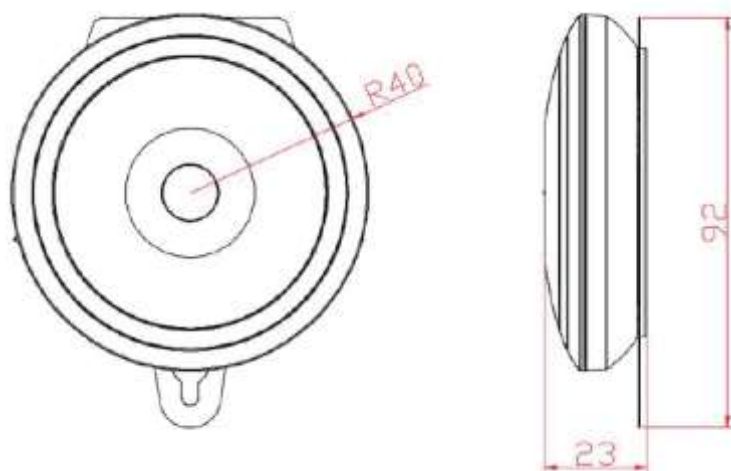
CL-XYD-L Motion-sensor night light

User manual

Product details



Product dimensions




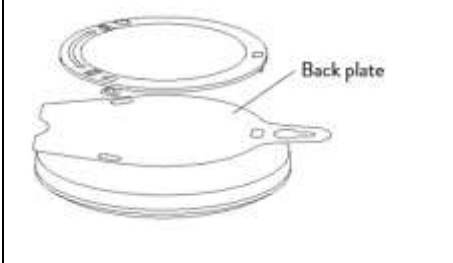



CL-XYD-L Motion-sensor night light

User manual

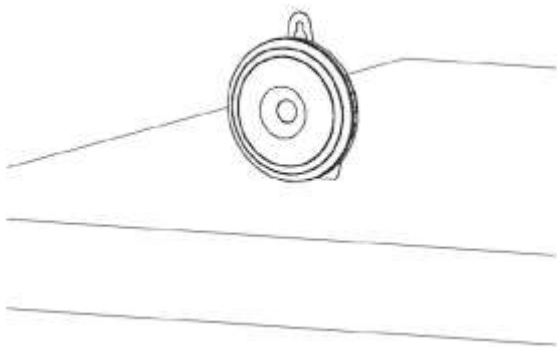
Installation options

Option 1: Hanging

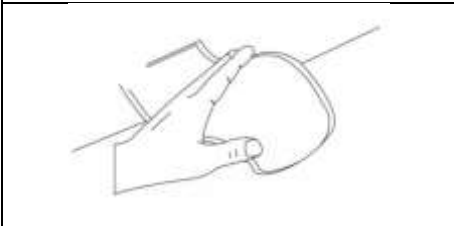

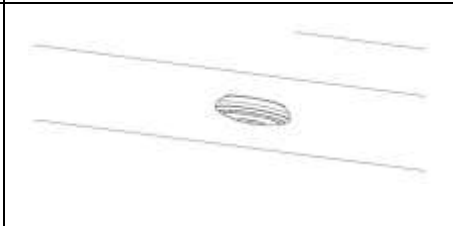
Step 1: Fix the hook on the vertical surface where you intend to hang the light	Step 2: Ensure that the back plate with the hanging hole is secured safely at the back of the light	Step 3: Hang the light
		

Option 2: Free-standing

Place the light on a horizontal surface with the back plate secured at the back of the light



Option 3: Double-sided tape installation

Step 1: Wipe the mounting surface clean and dry	Step 2: Remove the protective cover from one side of the double-sided adhesive disc and attach to the back of the light	Step 3: Remove the protective cover from the other side of the double-sided adhesive disc and attach the light to the mounting surface
		



CL-XYD-L Motion-sensor night light

User manual

Operation

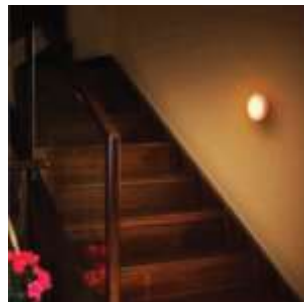
- Change between the three modes with the slide-switch
 - OFF: centre position, the light is off
 - ON: the light is permanently on
 - AUTO: the light is in motion sensor mode with daylight sensor. Once triggered, the light stays on for 30 seconds. Please note that the light won't turn on if the brightness in the area exceeds 2-3 LUX!
- The light can be charged via the micro-USB port
- Recharge, once the brightness of the light starts fading
- The indicator light turns red while charging and changes to blue, once fully charged.

Application areas

The CL-XYD-L motion-sensor activated, wires night lights have a wide range of applications. All you need is a surface to secure the lights to.



Hallway



Stairway



Wardrobe



Cabinet



Bathroom





CL-XYD-L Motion-sensor night light

User manual





CL-XYD-L Motion-sensor night light

User manual

<p>Model number: CL-XYD-L-3000K Made in China Manufacturer: Cononlux Technology Co., Limited (Block B, Liyuan Industrial Park, Shiyan Town, Baoan District, Shenzhen, China) Importer: Stellar Lighting Ltd. (5 London Wall Buildings, London, EC2M 5NS, UK) Contact details: www.stellarlighting.co.uk/contact</p>	 
 0 723042 320195	

<p>Model number: CL-XYD-L-4000K Made in China Manufacturer: Cononlux Technology Co., Limited (Block B, Liyuan Industrial Park, Shiyan Town, Baoan District, Shenzhen, China) Importer: Stellar Lighting Ltd. (5 London Wall Buildings, London, EC2M 5NS, UK) Contact details: www.stellarlighting.co.uk/contact</p>	 
 0 723042 320201	