



# CL-TYH Solar outdoor motion-sensor wall light

## User manual



### Technical specification

Model	CL-TYH-3W
Main features	Motion-sensor activated, wireless, solar outdoor light with daylight sensor
Battery	3.2 V - 1500 mA Lithium battery (solar-charged)
Solar panel type	Monocrystalline, 5.5 V, 0.6 W
Power	3 W
Light source type	SMD 2835 white LED
LED quantity (pcs)	24
CRI (Ra>):	>80
Outdoor use	Yes, suitable for outdoor use
Light colour	White 3000 K / 4000 K / 6000 K
Luminous flux	280 lm +/- 10%
Light angle	120°
Sensor type	PIR sensor
Daylight sensor sensitivity	10 LUX
Detection range	3 – 6 m
Detection angle	120°
Operation mode	3 operation modes
Blocking time	0.2 sec
Operation time	≥2.6 hours
Charge time	4 hours
Operating temperature	-10°C - 40°C (25°C is the most optimal)
Material & colour of housing	ABS + PC (White colour)
Product size	97 x 123 x 46 mm
Lifetime	50,000 hours
Warranty	2 years
Package dimensions	127 mm (L) x 50 mm (W) x 103 mm (H)
Weight with packaging	0.167 kg



# CL-TYH Solar outdoor motion-sensor wall light

## User manual

---

### Safety notices

#### Electrical work safety advice and tips

- Keep away from inflammable and explosive materials when charging. The charging time should not exceed 12 hours. Try to avoid using while charging.
- Avoid placing the light in the rain, outdoors or in moist areas as it may damage or short-circuit the device.
- Do not place the product into fire, open flame or hot surface as it may cause combustion or explosion.
- Do not open the LED light for inspection or re-wire the electronic circuits if you are not a professional. Opening the light engine might void your warranty.
- Avoid any debris on top or around the light engine as it can cause poor heat dissipation.
- Avoid using the device under -10°C and above 40°C temperature.

#### DIY tips and safety advice

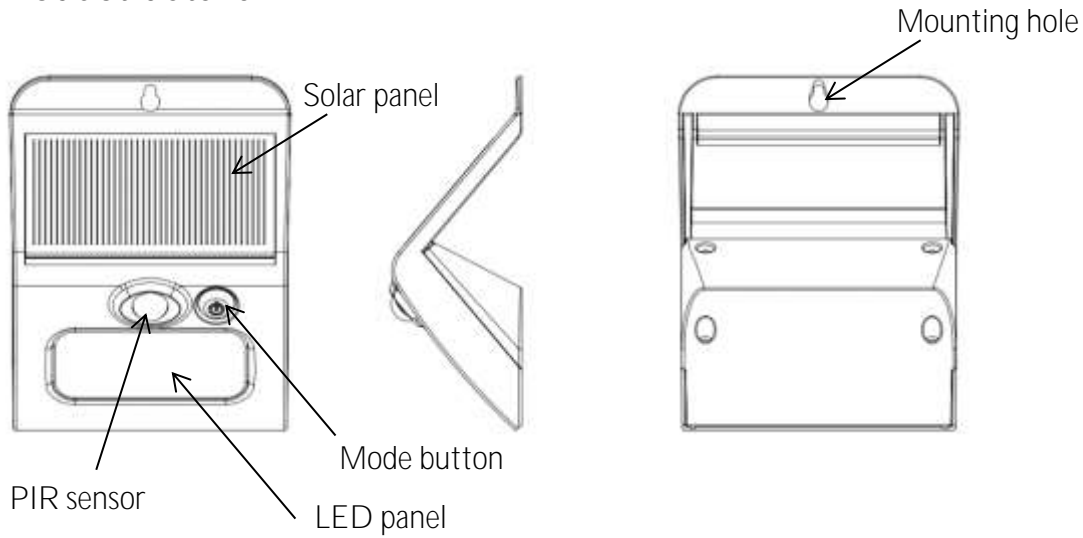
- This task will involve working at height. A safe system of work should be established and maintained, in order to prevent injury.
- Consider your safety! Think about the potential risks and dangers of the work and the steps you should take to avoid them.
- Personal protective equipment. Make sure that you are equipped with suitable and sufficient personal protective equipment. This could include eye protection, face mask, protective overalls, safety footwear and gloves.
- Ensure that the work area is sufficiently illuminated.
- Check that the tools you will be working with are in a good operating condition. For the installation, you will need a cordless drill with drill bits or a screwdriver.



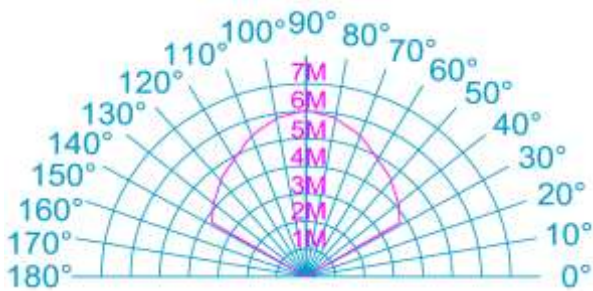
# CL-TYH Solar outdoor motion-sensor wall light

## User manual

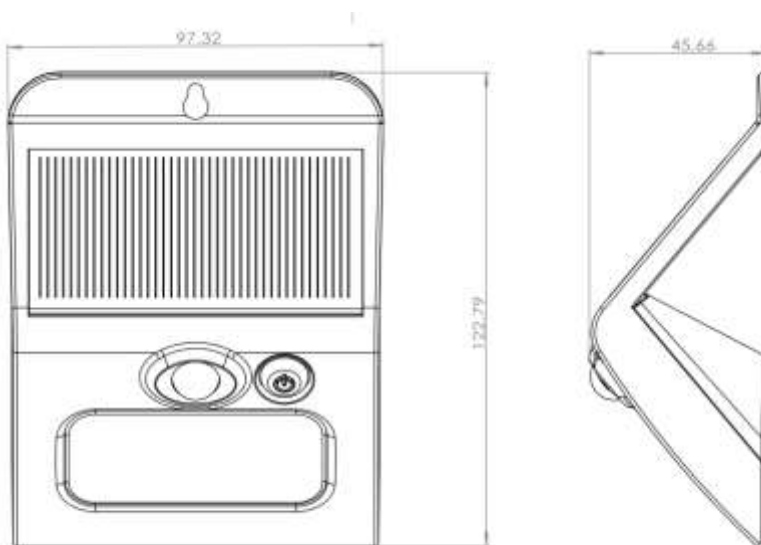
### Product details



### Sensing range



### Product dimensions



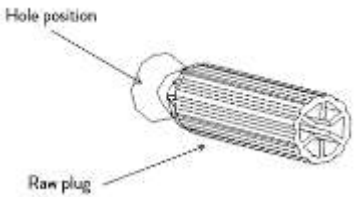
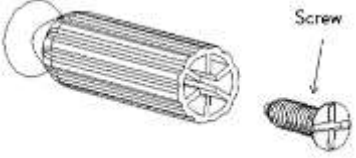



# CL-TYH Solar outdoor motion-sensor wall light

## User manual

### Installation

1. Drill the hole for the raw plug and screw in the screw, leaving the screw head partially protruded

Step 1: Drill the hole for the raw plug	Step 2: Screw in the screw, leaving the screw head partially protruded	Step 3: Hang the light
		

### Operation

- During daytime, the solar panel charges the lithium battery and the lights won't turn on
- At night time, when the brightness drops under 10 LUX, the solar panel stops charging and the light enters into work mode.
- Press and hold the “Mode” button for 3 seconds to switch the light on. Press and hold the “Mode” button again for 3 seconds to switch the light off.
- Press the “Mode” button short to circulate between the three operation modes. The light will flash up 1x, 2x or 3x indicating the current mode.
  - Mode 1: Motion-sensor mode with dimmed constant light
    - The lamp will automatically light up and enter warm-up status; the warm-up time is about 10 seconds. After the warm-up time, the lamp enters into a dimly lit state. When the motion sensor is triggered (4-6 m range), the activity light turns on to full brightness for 30 seconds. If the sensor senses activity after 30 seconds, the light remains on for another 30 seconds. If the sensor doesn't sense any activity after 30 seconds, the lamp enters back into dimmed state.
  - Mode 2: Motion-sensor mode
    - The lamp will automatically light up and enter warm-up status; the warm-up time is about 10 seconds. After the warm-up time, the lamp switches off. When the motion sensor is triggered (4-6 m range), the activity light turns on to full brightness for 30 seconds. If the sensor senses activity after 30 seconds, the light remains on for another 30 seconds. If the sensor doesn't sense any activity after 30 seconds, the lamp switches off.
  - Mode 3: Constant light mode
    - The light remains on for 4 hours.
- Once a mode is set, the device saves the setting in its memory, until it is manually changed.



# CL-TYH Solar outdoor motion-sensor wall light

## User manual

---

### Application areas

The CL-TYH Solar outdoor motion-sensor activated wires outdoor lights have a wide range of applications: street, courtyard, gate, balcony, garage, garden. All you need is a surface to secure the lights to.





# CL-TYH Solar outdoor motion-sensor wall light

## User manual

---





# CL-TYH Solar outdoor motion-sensor wall light

## User manual

---

<p>Model number: CL-TYH-3W-4000K Made in China Manufacturer: Cononlux Technology Co., Limited (Block B, Liyuan Industrial Park, Shiyan Town, Baoan District, Shenzhen, China) Importer: Stellar Lighting Ltd. (5 London Wall Buildings, London, EC2M 5NS, UK) Contact details: <a href="http://www.stellarlighting.co.uk/contact">www.stellarlighting.co.uk/contact</a></p>	
 <p>0 723042 320232</p>	