



CL-HZA Portable make-up mirror with LED light

User manual



Technical specification

Model	CL-HZA
Main features	Portable, battery-powered, dimmable, colour temperature change feature
Battery	5 V – 450 mA Lithium-polymer battery (micro-USB charging port)
Power	0.8 W
Light source type	SMD 2216 white LED
LED quantity (pcs)	168
CRI (Ra>):	>90
IP rating	IP 20
Light colour	White (3000 K - 6000 K)
Luminous flux	30 +/- 5%
Dimming range	10% - 100%
Light angle	120°
Operation modes	On / Off
Operation time	3.5+ hours
Charge time	1 - 1.5 hours
Operating temperature	-10°C - 40°C (25°C is the most optimal)
Material & colour of housing	ABS (red back with UV paint) + PC (milk white front rim)
Product size	Ø 90 x 9 mm
Lifetime	50,000 hours
Warranty	2 years
Package dimensions	130 mm (L) x 130/ mm (W) x 30 mm (H)
Weight with packaging	0.149 kg



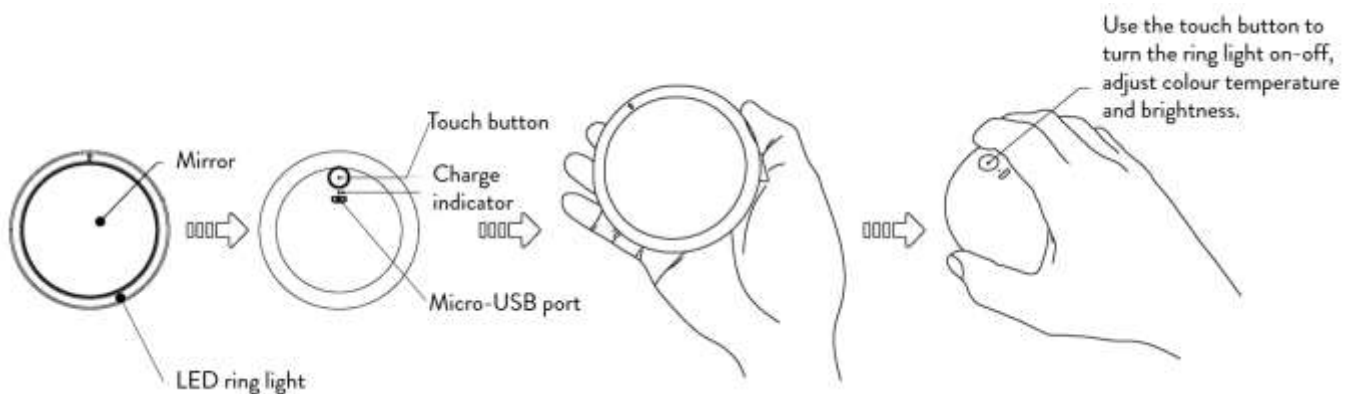
CL-HZA Portable make-up mirror with LED light

User manual

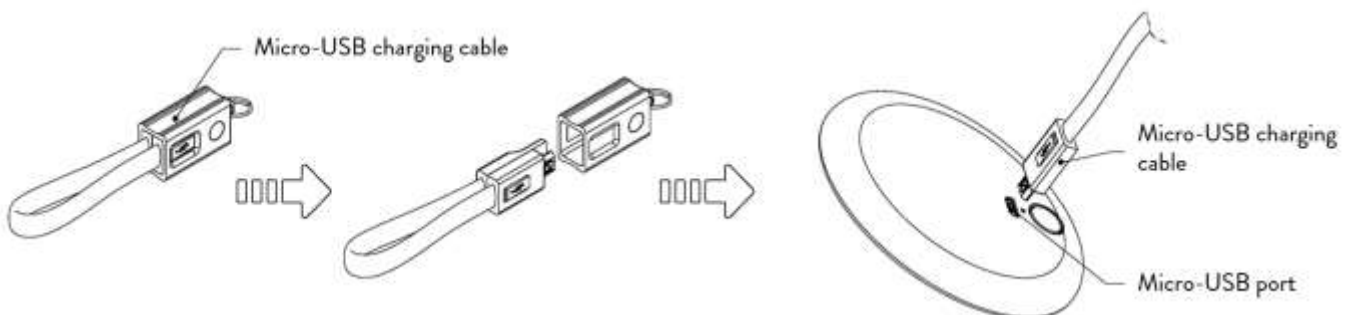
Safety notices

- Do not use if the mirror or the back cover is damaged as the fragments can cause harm
- Do not look directly in the LED ring light around the mirror for long as it can cause discomfort or damage to your eyes.
- Keep away from inflammable and explosive materials when charging. The charging time should not exceed 12 hours. Try to avoid using while charging.
- Avoid placing the light in the rain, outdoors or in moist areas as it may damage or short-circuit the device.
- Do not place the product into fire, open flame or hot surface (above 60°C) as it may cause combustion or explosion.
- Do not open the LED light for inspection or re-wire the electronic circuits if you are not a professional. Opening the light engine might void your warranty.
- Avoid using the device under -10°C and above 40°C temperature.

Product details



USB charger

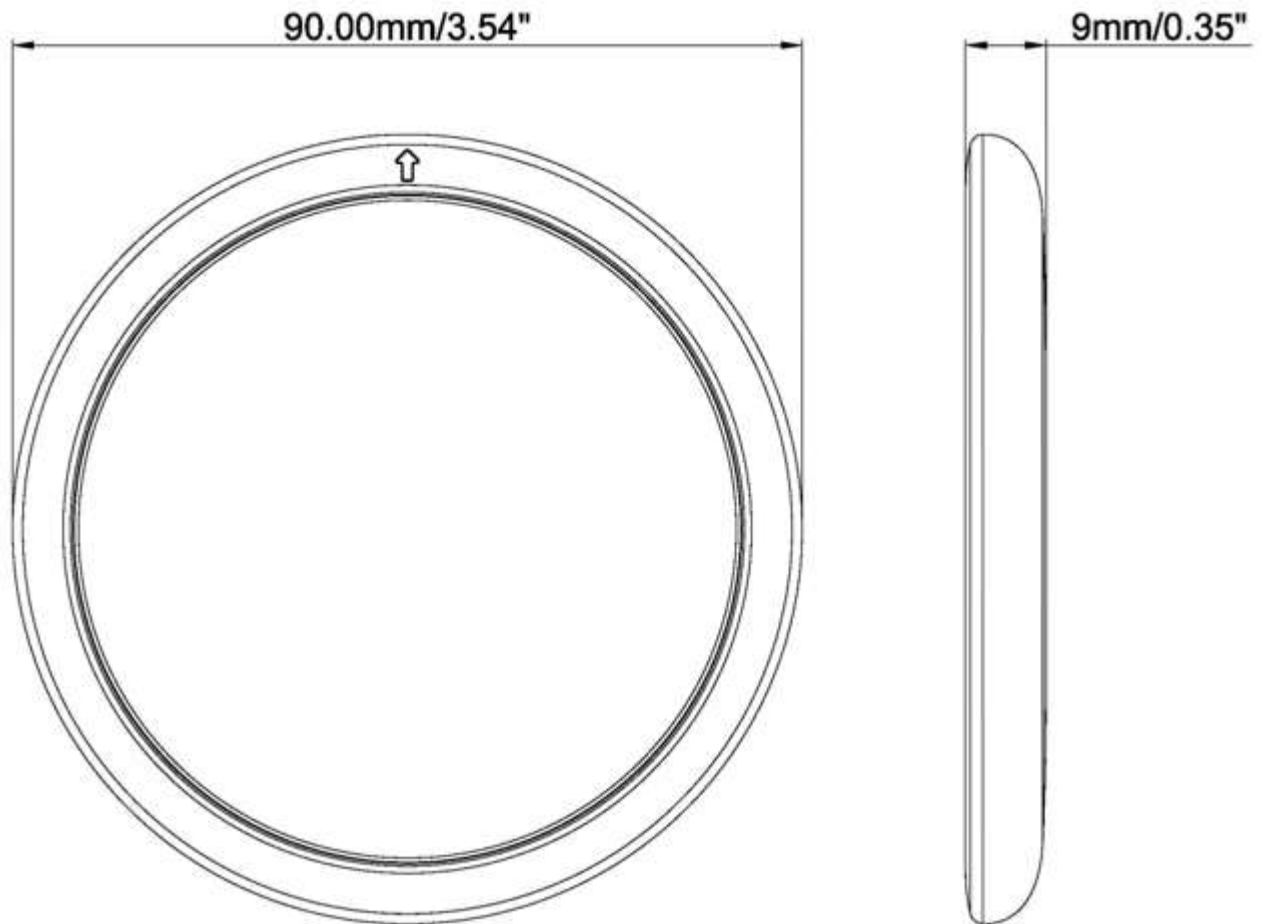




CL-HZA Portable make-up mirror with LED light

User manual

Product dimensions





CL-HZA Portable make-up mirror with LED light

User manual

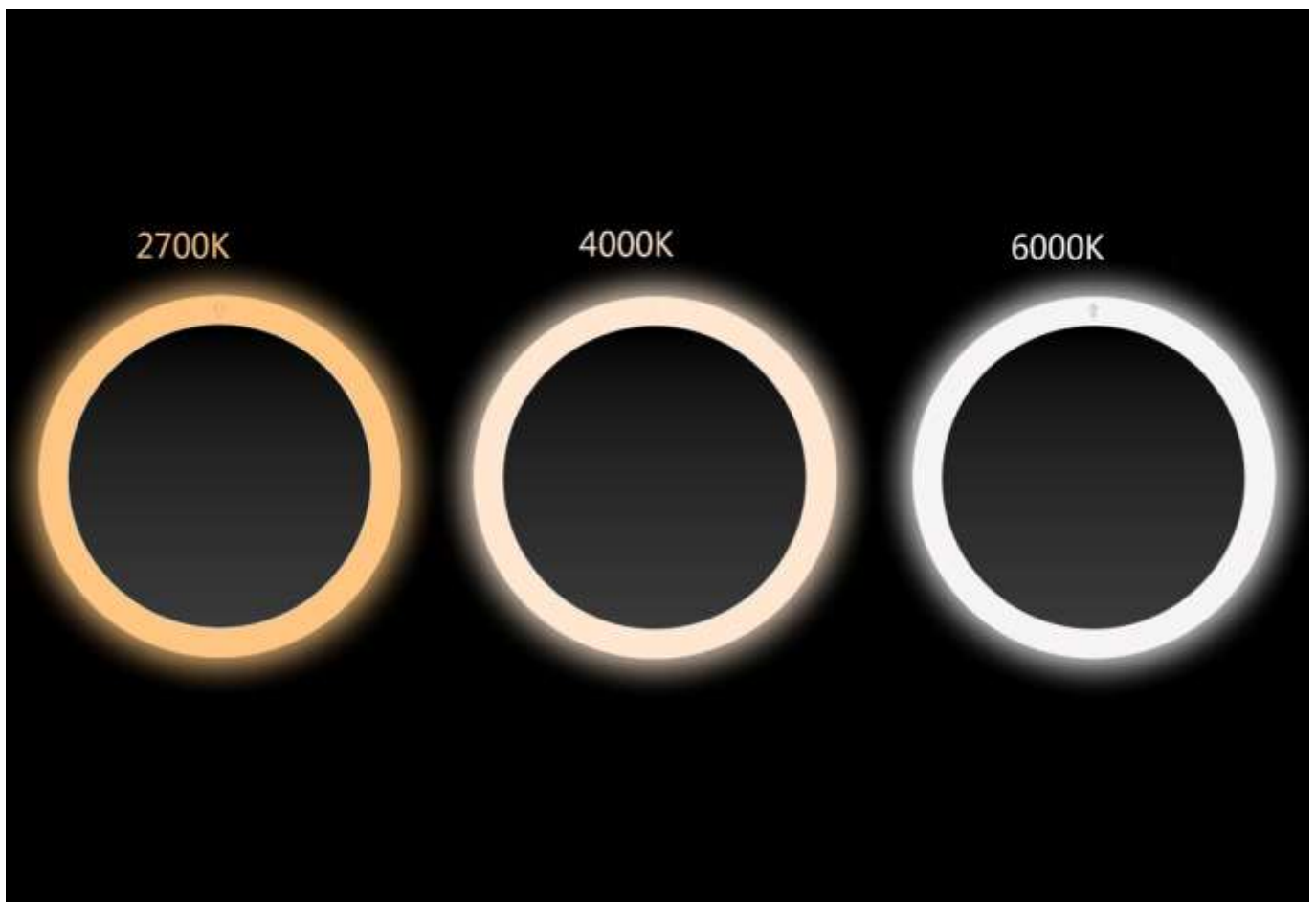
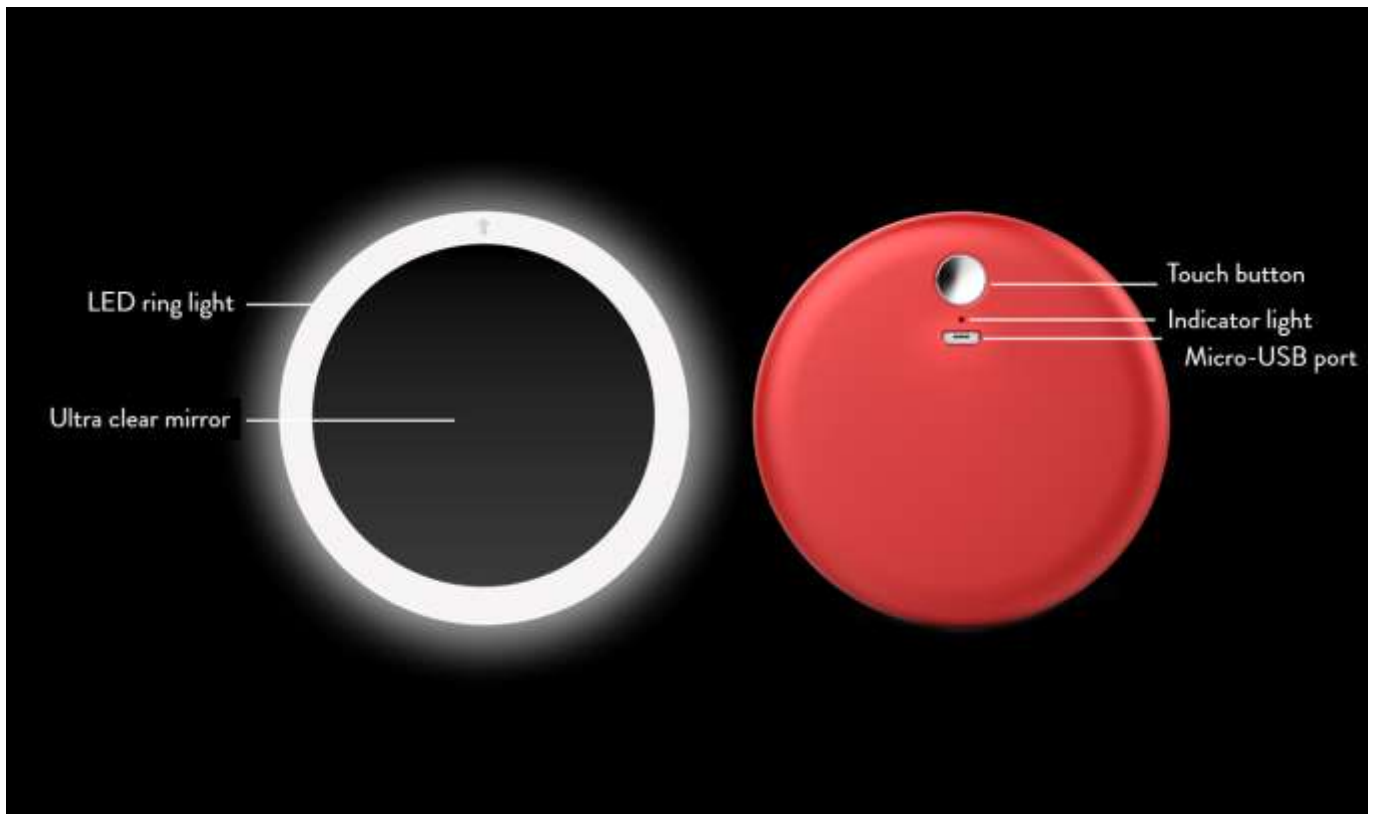
Operation

- Charge the device fully before first use. The indicator light will be red while charging and turn to blue once fully charged
- The LED ring light can be operated with the touch button located at the back of the mirror:
 - Short pressing the button will circle through the following modes:
 - Off
 - Warm white
 - Cold white
 - Neutral white
 - Long pressing the button while the light is on will increase/decrease the brightness. Press and hold to decrease the brightness. Release the button, then press and hold again to increase brightness.



CL-HZA Portable make-up mirror with LED light

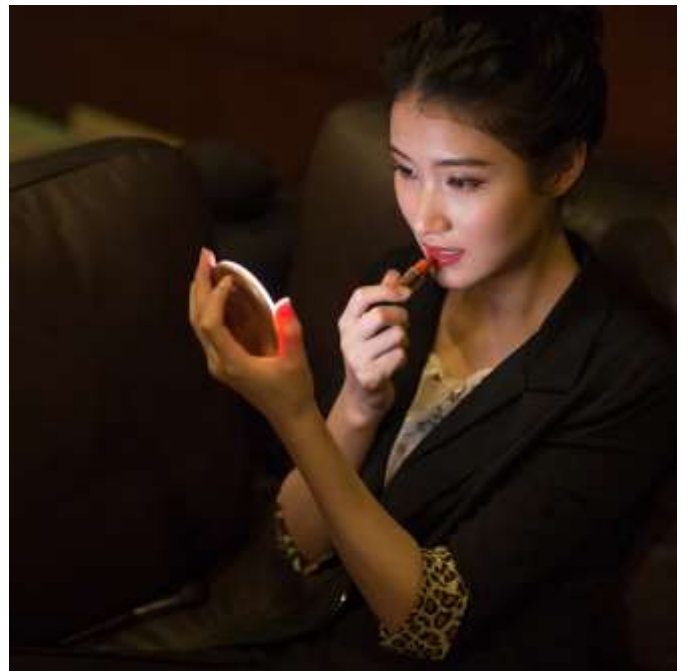
User manual





CL-HZA Portable make-up mirror with LED light

User manual





CL-HZA Portable make-up mirror with LED light

User manual

<p>Model number: LED-CL-HZA-A-RED Made in China Manufacturer: Cononlux Technology Co., Limited (Block B, Liyuan Industrial Park, Shiyao Town, Baoan District, Shenzhen, China) Importer: Stellar Lighting Ltd. (5 London Wall Buildings, London, EC2M 5NS, UK) Contact details: www.stellarlighting.co.uk/contact</p>	
 <p>0 723042 320218</p>	 